

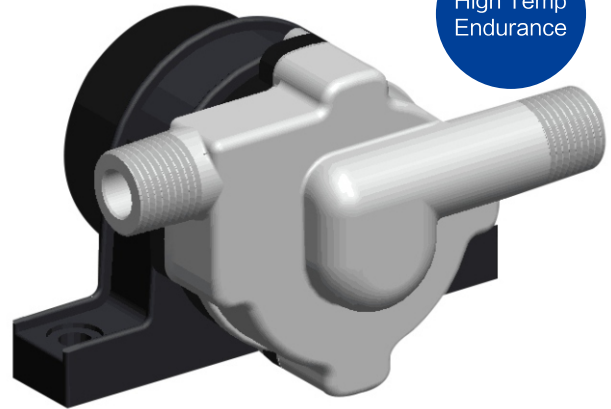
TD5

Micro DC Brushless Pump

Typical Applications

- Solar Water Heating System
- Hot Water Circulation
- Radiant Floor Heating
- Heat Transfer Application
- Cooling System
- Food-grade Liquid Transfer

High Temp
Endurance



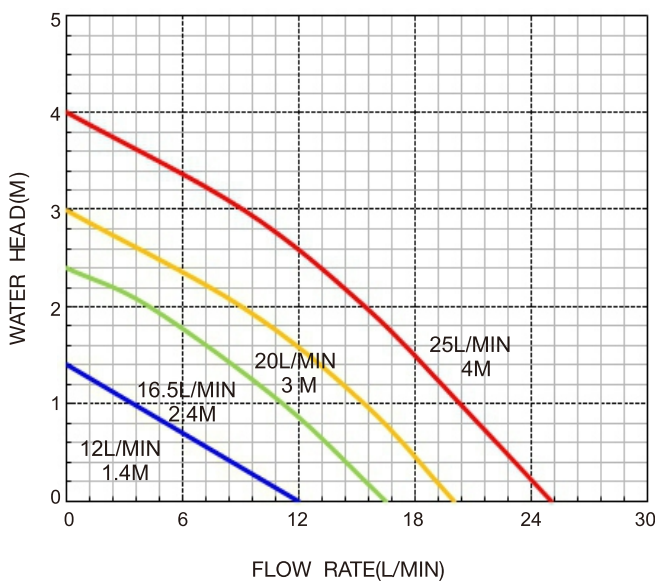
Specification

Model	Product Code	Max Flow Rate (L/Min)	Max Water Head (M)	Voltage (VDC)	Current (A)	Starting Voltage (VDC)	Power (W)
TD5/PV	TD5/PV-A17-2504	25	4	17	1.4	2	25

Note: 1. High temperature 110°C (230°F); 2. Speed control available

Curve & Dimension

TD5 Performance



Dimension (mm)

